



HANGPRO DRYWALL LIFT FOR WALLS OWNER'S MANUAL



HANGPRO DRYWALL LIFT

MODEL 100

Warnings and Cautions.....	Page 1
Tools Needed.....	Page 2
Hardware Included.....	Page 2
Warranty.....	Page 2
Specifications.....	Page 2
Parts List.....	Page 3
Assembly Instructions.....	Pages 4-7
Operating Instructions.....	Pages 8-10

QUESTIONS?

Follow assembly and operating instructions in this booklet.

Visit us at www.hangprolift.com for Assembly and Operating How To Video's,

Written Instructions, Ideas for using the HangPro Drywall Lift, etc.

OR

Call us at 1-844-426-4776 or 1-844-hangpro

OR

Email at hangprolift@yahoo.com

HANGPRO DRYWALL LIFT

⚠ Warning ⚠

Read and follow these warnings and the instructions that follow. Failure to do so could result in serious property damage and/or serious bodily injury.

BEFORE operating the HangPro Drywall Lift, thoroughly read this booklet, make sure you understand it, and only then by following the step-by-step instructions.

FAILURE TO READ AND FOLLOW THESE INSTRUCTIONS could result in property damage, accident and/or serious bodily injury.

- Use the HangPro Drywall Lift only for its intended purposes.
- It is very important to maintain the HangPro Drywall Lift properly. Check the tires for inflation of 15 psi. Check the cable for wear and check all moving parts for obstructions or excessive wear. Do not attempt to use if any part is missing, damaged or worn.
- Keep the HangPro Drywall Lift **AWAY FROM LIVE ELECTRICAL WIRES** as the lift is made of steel and conducts electricity.
- Load only one panel maximum 150 lbs. (68kg) on the lift at a time.
- **NEVER CLIMB ON OR STEP ON** the lift.
- Always keep the cradle in the lowered position while moving the lift.
- Raise the loaded cradle only when the lift is on its caster rollers and leaned against a wall.
- **DO NOT PUT YOUR HANDS OR FINGERS NEAR THE CABLE** when operating winch.
- Always return the cradle to the lowered position after hanging the panel and before moving the lift.
- In the event of broken or worn parts, use only factory replacement parts. Installation of unauthorized parts voids the warranty and may result in equipment failure and/or serious injury.
- Always wear a hard hat when operating the lift, failure to do so may result in serious injury.

HANGPRO DRYWALL LIFT

TOOLS NEEDED

HARDWARE INCLUDED

WARRANTY

SPECIFICATIONS

TOOLS NEEDED

13 mm Wrench
13 mm Socket and Ratchet and Extension
14 mm Wrench for Cable Keeper
18 mm Wrench for Winch Handle
Vice Grip or C Clamp to hold Cradle in place
Needle Nose Pliers for Cotter Key Installation on Wheels
Impact Driver (Optional)

Inspect box to be sure all contents are included and undamaged.

HARDWARE INCLUDED

BOLTS		NUTS	COTTER KEYS
Quantity	Size	15	4
5	8x35		
25	8x20		
1	8x70		

Total of 50 Pieces (Extra hardware included)

WARRANTY

1 Year on Workmanship and Materials

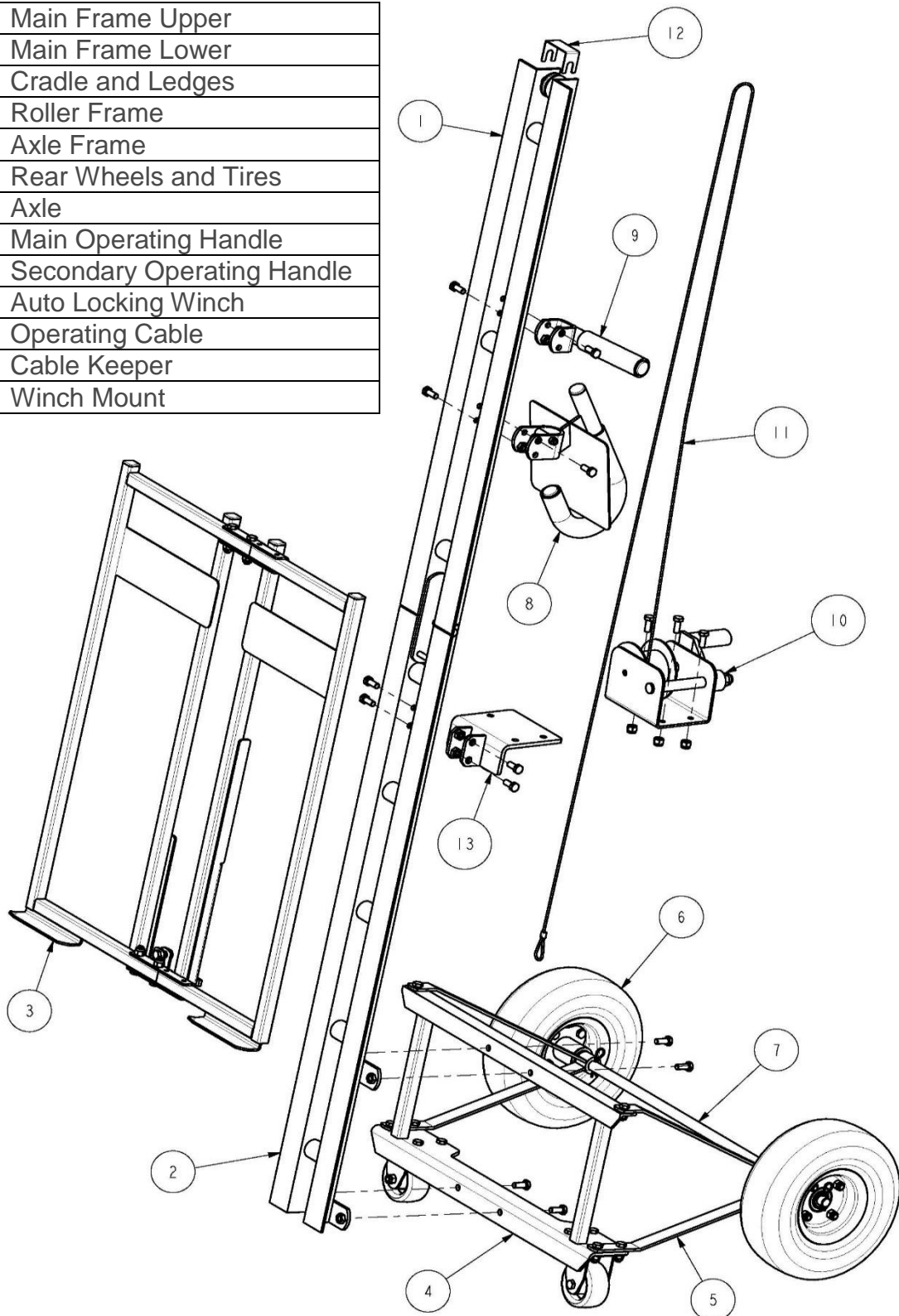
SPECIFICATIONS

Maximum Lift Height	10 Feet
Maximum Panel Load Weight	150 lbs. (68kg)
Maximum Panel Size	4' x 16' x ½"
Panel Quantity Capacity	1
Panel Loading Height	2-4 inches
Weight of Assembled Lift	79 lbs.

HANGPRO DRYWALL LIFT

PARTS LIST

1	Main Frame Upper
2	Main Frame Lower
3	Cradle and Ledges
4	Roller Frame
5	Axle Frame
6	Rear Wheels and Tires
7	Axle
8	Main Operating Handle
9	Secondary Operating Handle
10	Auto Locking Winch
11	Operating Cable
12	Cable Keeper
13	Winch Mount



HANGPRO DRYWALL LIFT

ASSEMBLY INSTRUCTIONS

Step 1

Lay the two halves of the cradle on a **flat** surface.

Attach halves together by using four M8X35mm bolts and nuts as shown in Figure A.

Set cradle aside.

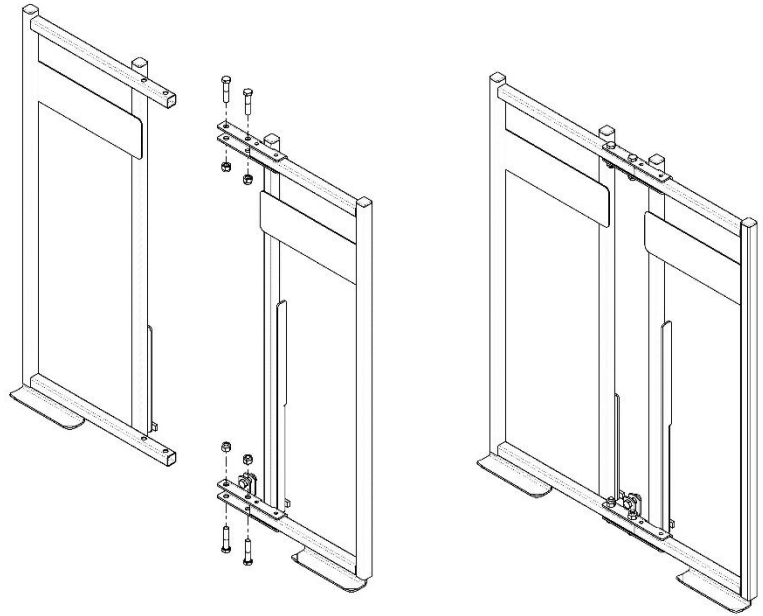


Figure A

Step 2

With the **long leg** of the axle frame on top, attach the two axle frames to the roller frame.

Use two M8X20mm bolts and nuts on the upper legs and four M8X20mm bolts and nuts on the lower legs.

Push the axle through the axle frame. Attach wheels by using pliers to insert the four cotter keys as shown in Fig B.

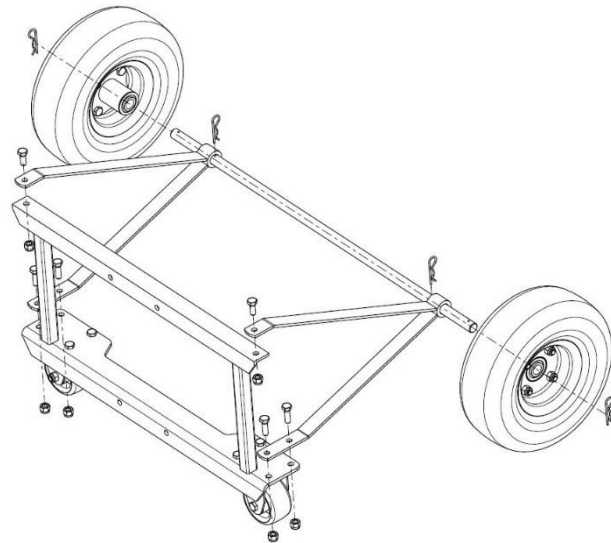


Figure B

Step 3

Attach upper and lower frames using one M8X70mm bolt and nut and two M8X20mm bolts as shown in Figure C.

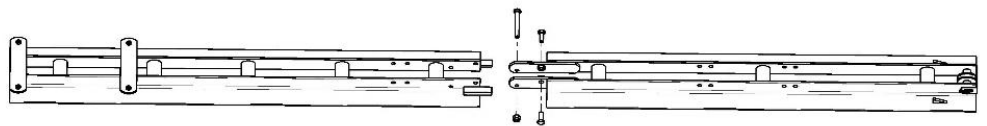


Figure C

HANGPRO DRYWALL LIFT

ASSEMBLY INSTRUCTIONS

Step 4

Attach the roller frame to the main frame using four M8X20mm bolts as shown in Figure D.

Turn the lift over so the wheels are on a flat surface.

Slide the cradle onto the main frame as shown in Figure E.

Before raising the lift to an upright position, clamp a vise grip or C clamp onto the lower main frame below the cradle to hold the cradle up off the floor.

Figure D

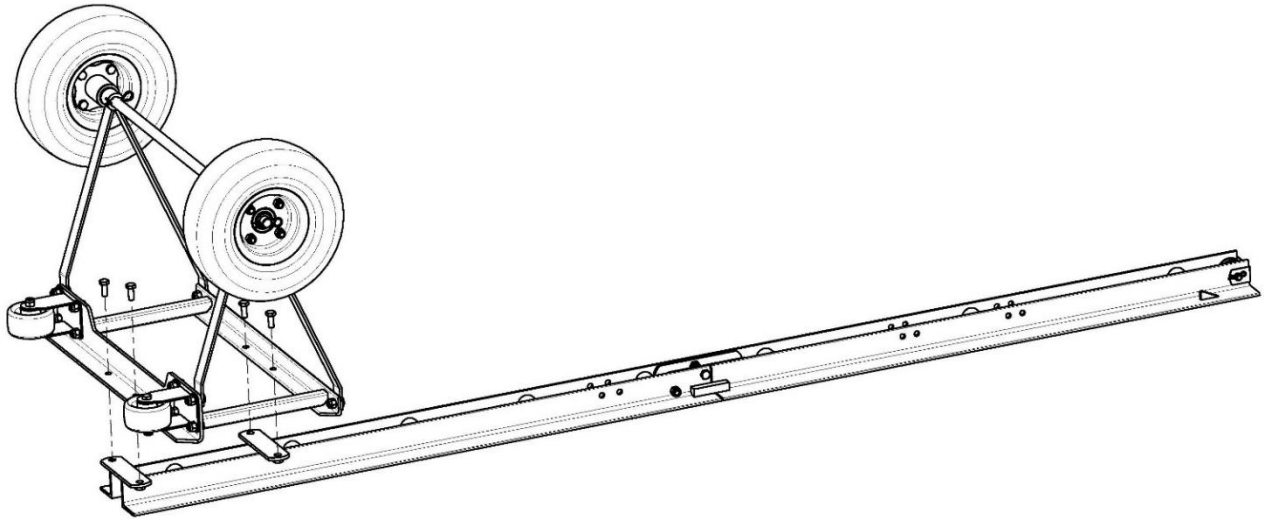
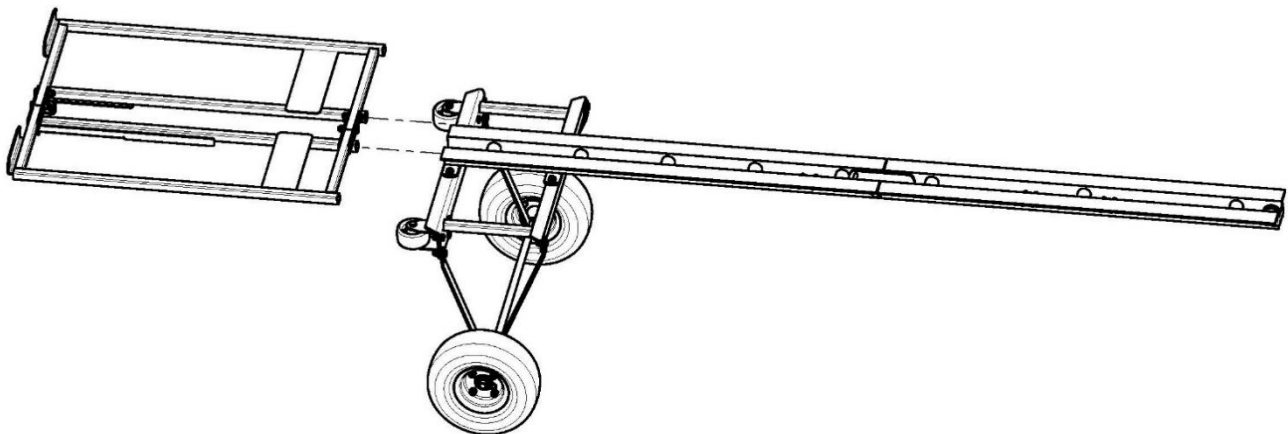


Figure E



HANGPRO DRYWALL LIFT

ASSEMBLY INSTRUCTIONS

Step 5

Attach winch mount to main frame using four M8x20mm bolts.

Attach winch to winch mount using three M8x20mm bolts and nuts as shown in Figure F.

Remove nut and washer from winch drive and install winch handle. Replace nut and washer as shown in Figure F.

Attach main and secondary operating handles to main frame using two M8x20mm bolts in each handle as shown in Figure G. Secondary handle can be left or right.

Unwind some cable and thread it under the handles as shown in Figure H.

Figure F

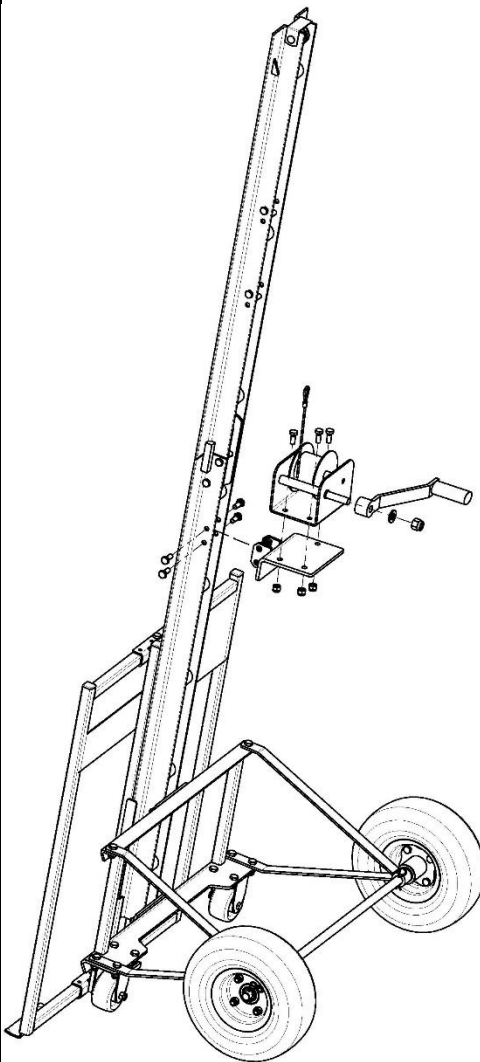


Figure G

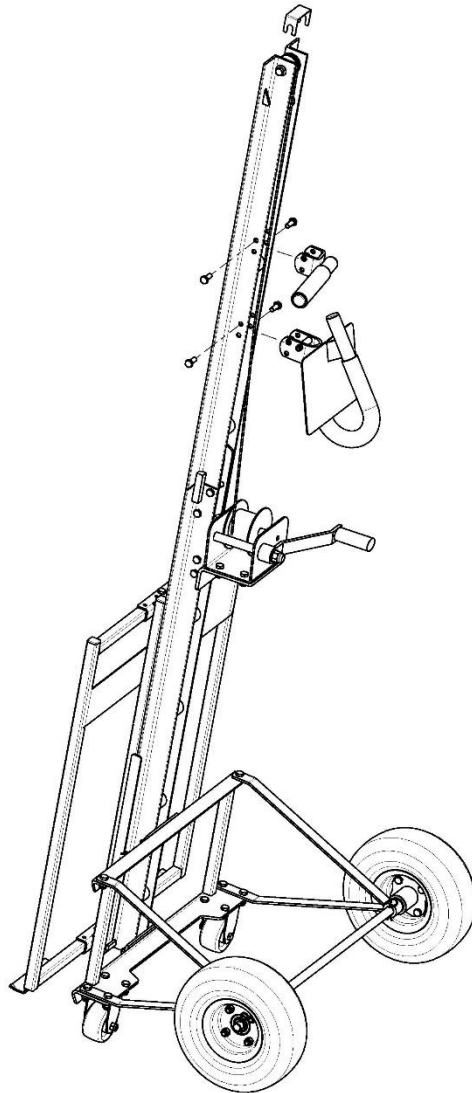
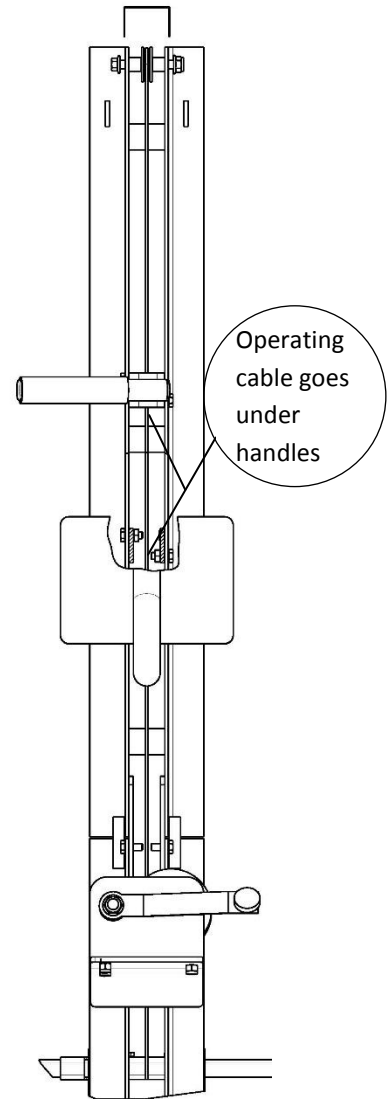


Figure H



HANGPRO DRYWALL LIFT

ASSEMBLY INSTRUCTIONS

Step 6

At the top of the main frame, **loosen** the nut that holds the pulley and cable keeper. Do not remove the bolt. Lift the cable keeper off and thread cable over the top of the pulley so the cable is resting in the middle of the pulley. Unwind all cable from winch and pull cable down the front of the lift. Thread cable between the main frame and the cradle as shown in Figure J. Using one M8x20mm bolt attach cable loop to the cradle as shown in Figure K. Remove clamp from lower main frame. Reinstall cable keeper as shown in Figure I.

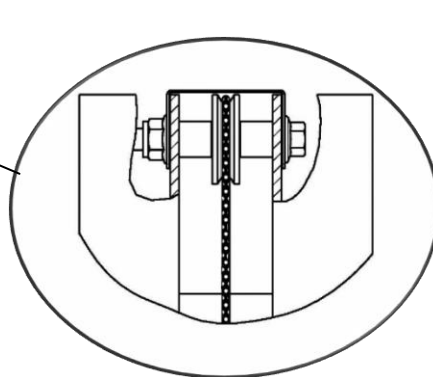
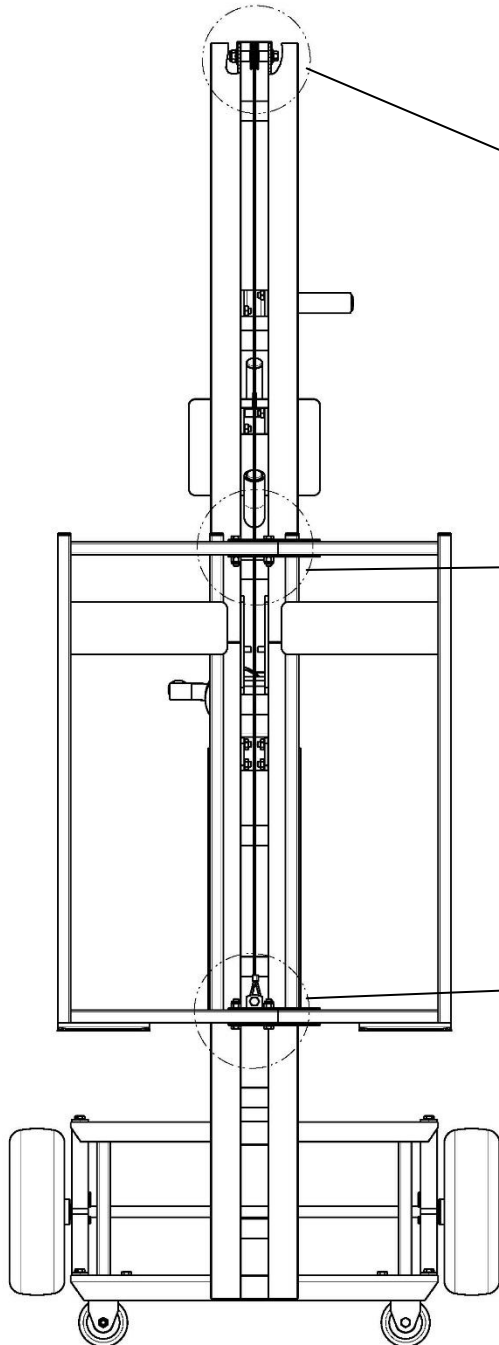


Figure I shows properly installed cable and cable keeper.

Figure I

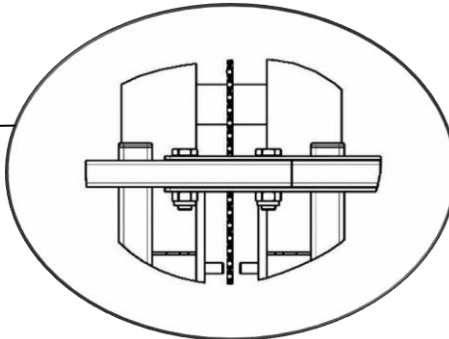
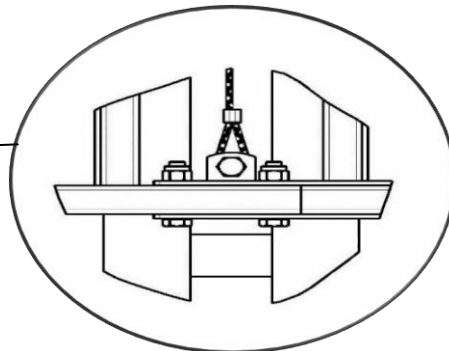


Figure J shows proper cable routing on the front side of lift (cable travels between main frame and cradle).

Figure J



Attach cable loop to lower cradle.

Figure K

Now your HangPro Drywall Lift is ready to start hanging drywall the easy way!

HANGPRO DRYWALL LIFT COMPONENTS

Being familiar with each component of the lift will help the user operate the lift more efficiently and safely.

1. WHEELS AND CASTERS

The large rubber wheels are used when the lift is leaned back and pushed like a hand truck. The casters are used to move the lift side-to-side for precise positioning of the panel on a wall or when transporting a panel including through a doorway or hallway.

2. CRADLE AND LEDGES

The cradle is located at the front of the lift and holds the panel when it is being transported or lifted. When loading a panel the cradle is in the lowered position and the panel is shifted onto the cradle ledges. When transporting a panel the cradle should be about 12 inches off the floor. Turning the winch handle raises and lowers the cradle.

3. MAIN FRAMES

The cradle rides up and down the upper and lower main frames. The upper frame can be pivoted forward to fold the lift in half for easier transport.

4. WINCH CABLE

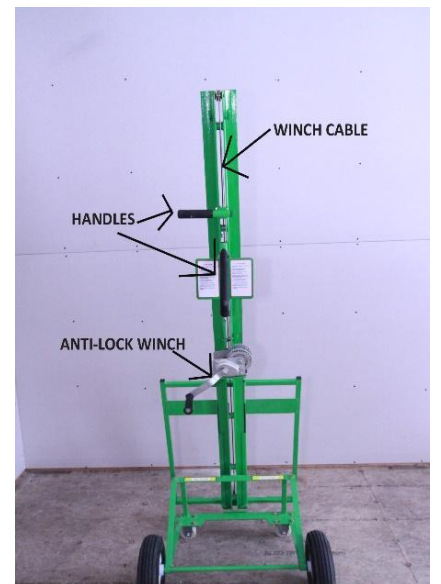
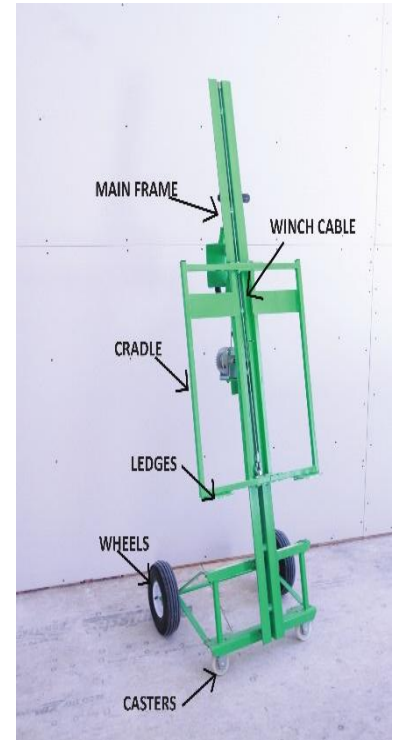
The winch cable is threaded under both handles and over the pulley located at the top of the upper main frame. The cable is then threaded under the cradle and the loop is secured to the bottom of the cradle.

5. AUTO-LOCK HAND WINCH

The winch handle is turned clockwise to raise or counter clockwise to lower the cradle. The auto lock winch is designed to hold the cradle and panel in a precise position.

6. HANDLES

The curved handle is held when moving the lift. The straight handle is held when turning the winch handle and is an additional point of contact when needed. This handle can be attached either right or left handed. It is important to use these handles properly when moving or positioning the lift to prevent accidents.



HANGPRO DRYWALL LIFT OPERATING INSTRUCTIONS

PREPARING DRYWALL PANELS

Drywall panels are typically stocked leaning horizontally in small stacks against walls. When the drywall bundle is opened the first panel has to be flipped around so the good side of the panel is facing out.

LOADING A PANEL

Center the lift on the panel and position about an inch away from the panel. Turn the winch handle counter clockwise until the cradle is lowered near the floor. The operator walks to one end of the panel and lifts it slightly to shift the panel onto the cradle ledges. Lean the panel back against the lift.



TRANSPORTING

Turn the winch handle clockwise to raise the panel about 12 inches off the floor. With one hand holding the curved handle and the other hand gripping the top edge of the panel lean the lift back slightly onto the rubber wheels and push like a hand truck. Lean the lift forward onto the casters to transport the loaded lift through doorways and hallways.

POSITIONING

Move the lift with a loaded panel to the location that needs hung. Position the lift so the casters are 8 to 12 inches away from the wall. While standing at the back of the lift carefully lean the lift and panel forward onto the casters and against the wall. The lift will not kick away from the wall because the casters do not pivot.



LIFTING AND HOLDING

With a firm grip on the straight handle, turn the winch handle clockwise to raise the panel. The winch auto locks and the panel will be held securely against the wall.

CAUTION: Do not raise the panel over 24 inches unless the lift is on the casters and the panel is leaning against the wall.



HANGPRO DRYWALL LIFT OPERATING INSTRUCTIONS

USING THE CASTERS FOR PRECISE POSITIONING

When the lift is leaned forward onto the casters it can be moved side-to-side for precise positioning before or after lifting the panel.



REMOVING THE LIFT AFTER PANEL IS SECURED

Install screws along the top edge of the panel until secured. Turn the winch handle counter clockwise to lower the cradle before moving the lift.



TRANSPORTING THROUGH A DOORWAY OR HALLWAY

Load a panel as described on prior page. Turn the winch handle clockwise to raise the panel 6 to 12 inches off the floor. With one hand on the curved handle and the other gripping the top edge of the panel lean the lift and panel forward onto the casters. Position the lift so the end of the panel is pointing towards the doorway or hallway. Push the lift sideways on the casters.

FOLDING FOR TRANSPORTATION

On the lower main frame locate the upper bolts. Remove the two upper bolts and the upper main frame can be carefully pivoted forward. The upper main frame is not separated from the lower main frame. As the upper main frame is folded forward turn the winch handle clockwise to unwind all the cable.

If transporting but not folding over, lower the cradle and put a clamp on the upper main frame so the cradle does not move during transportation.

