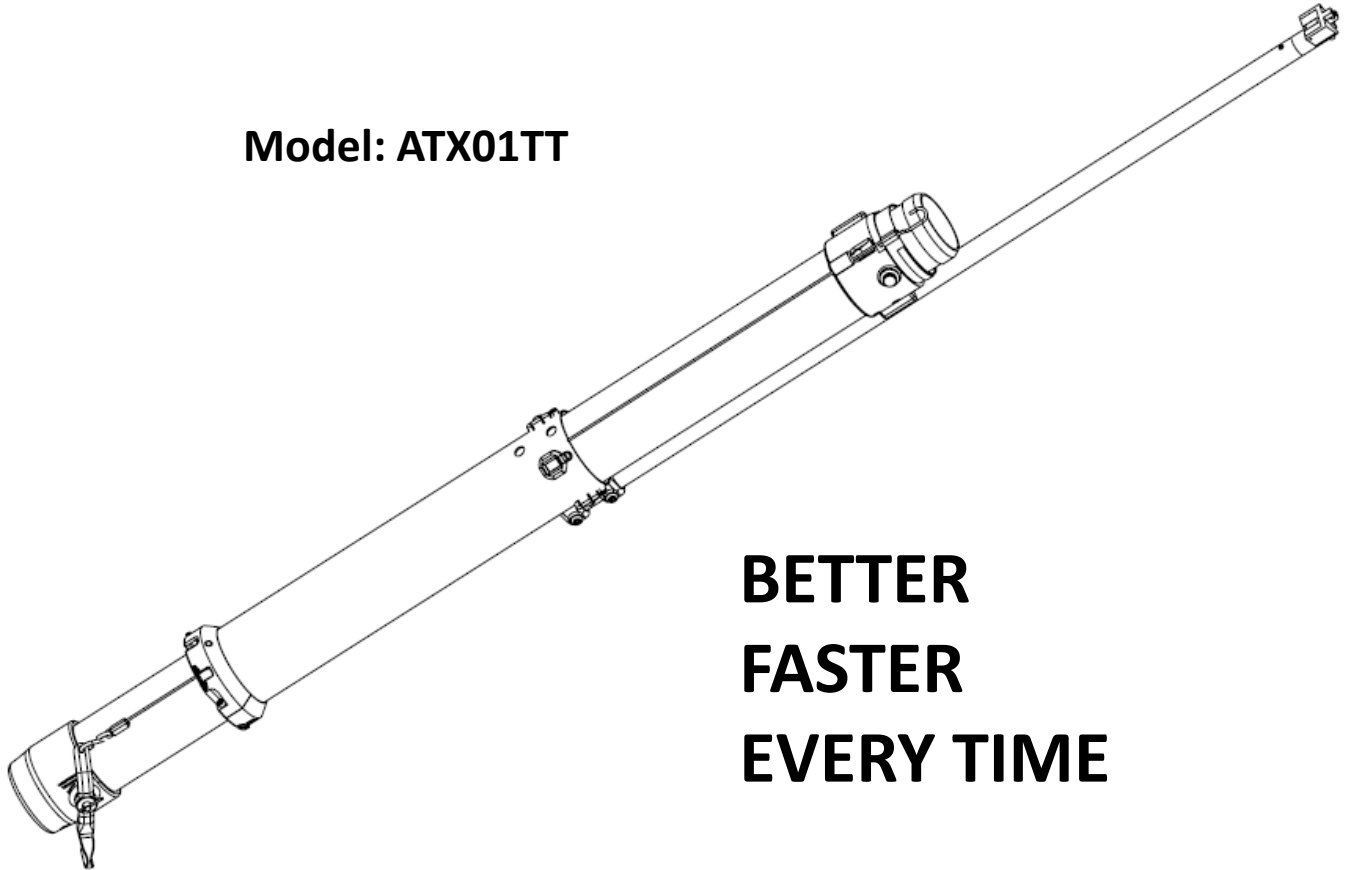


Automatic Taper Extension Operation and Maintenance Guide

Better – Faster – Every time

Model: ATX01TT



**BETTER
FASTER
EVERY TIME**



www.tapetech.com/upload/ES-ATX01TT.pdf



www.tapetech.com/upload/FR-ATX01TT.pdf



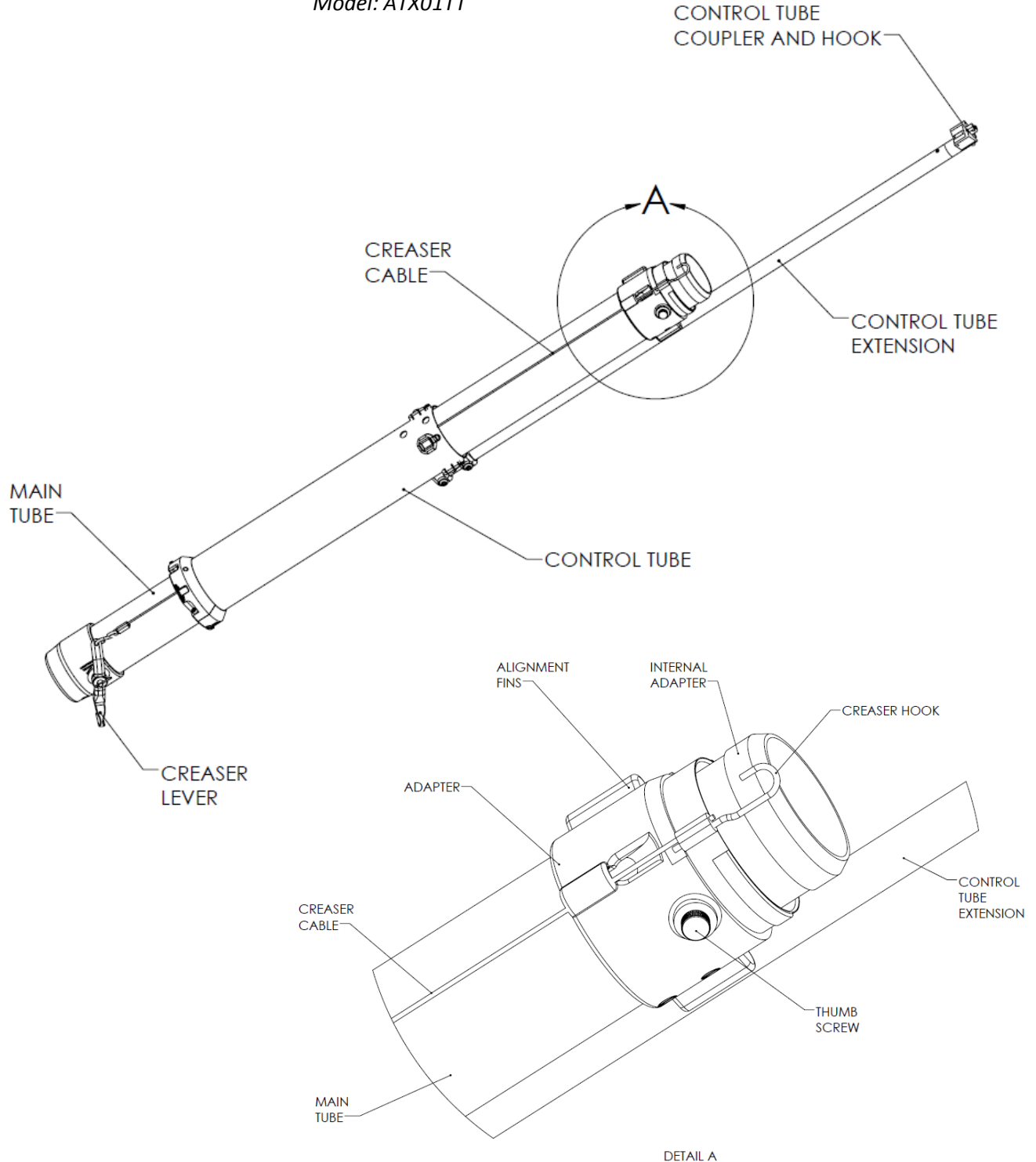
www.tapetech.com/upload/DE-ATX01TT.pdf

Automatic Taper Extension

Operation and Maintenance Guide

Better – Faster – Every time

Model: ATX01TT



Automatic Taper Extension Operation and Maintenance Guide **Better – Faster – Every time**

How to Attach the ATX01TT Automatic Taper Extension



1. Place the automatic taper on the gooseneck for stability. Remove the end cap from the bottom of the automatic taper by pulling out on the stainless clip and twisting the end cap counterclockwise.



2. Remove the end cap from the bottom of the automatic taper.



3. With the Alignment Fin in line with the center of the creaser lever, insert the internal adapter of the ATX01TT into the end of the main tube of the automatic taper.



4. Make sure the Alignment Fin is in line with the center of the creaser lever before inserting the internal adapter.



5. With your left thumb on the Alignment Fin, turn the ATX01TT to the left until it is fully seated.



6. The red thumb screw should now be in line with the center of the creaser lever .

Automatic Taper Extension Operation and Maintenance Guide **Better – Faster – Every time**

How to Attach the ATX01TT Automatic Taper Extension (cont.)



7. Lift the creaser wheel lever with one hand and grab the creaser hook with the other hand.



8. Attach the Creaser Cable of the ATX01TT to the main creaser cable of the Taper by inserting the hook through the S-Hook on the creaser wheel lever.



9. Tighten the red thumb screw.



10. Hook the control tube extension to the metal pin on the control tube flange of the automatic taper.

The ATX01TT Automatic Taper Extension is ready for use!

Operation

The ATX01TT operates as an extension of the taper. Use the control tube of the extension to cut and advance the paper tape in the same manner as the control tube on the Automatic Taper. Use the creaser wheel lever on the extension to operate the creaser wheel in the same manner as the creaser wheel lever on the Automatic Taper.

Maintenance

After use, clean the ATX01TT extension with clean water and a brush to remove joint compound. Keep the control tube wheels and control tube coupler and hook clean and lubricated using TapeTech Bazooka Oil®.